



Manual valves and lockshields Series 100



Te-sa radiator valves and lockshields valves are specifically designed for adjustment and interception of the heat transfer fluid in heating systems.

The range includes versions for iron, copper, PEX and multilayer pipe (1/2" and 3/4" connections for screw-on fittings).

They feature a special-profile rubber gasket on the union that enables connection of the valves and lockshields to all radiators without additional sealing elements.

Technical specifications

Materials:

Body:	Ottone UNI EN 12165 - CW617N
Insert valve:	Ottone UNI EN 12164 - CW614N
Seals:	EPDM Peroxide
Valve knob:	ABS
Lockshield cap:	ABS

Operation:

Useable fluids:	Water - Glycolated solutions
Maximum glycol percentage:	30%
Maximum operating pressure:	10bar
Maximum operating temperature:	100°C

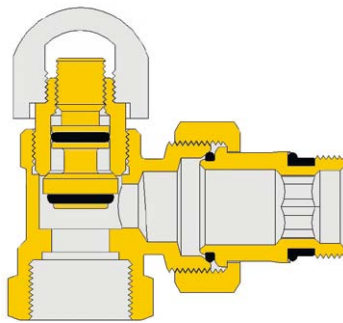
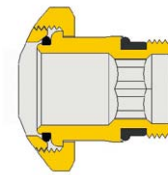
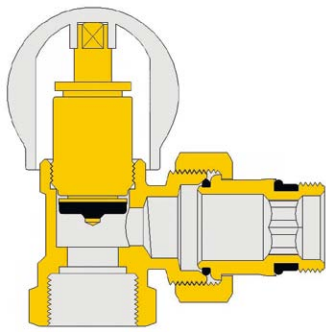
Product range:

Valves for iron pipe:

Art. 100/1	Manual angle valve	size 3/8", 1/2", 3/4"
Art. 101/1	Angle lockshield valve	size 3/8", 1/2", 3/4"
Art. 102/1	Manual straight valve	size 3/8", 1/2", 3/4"
Art. 103/1	Manual straight lockshield valve	size 3/8", 1/2", 3/4"

Valves for copper and multilayer pipe:

Art. 104/1	Manual angle valve	size 3/8", 1/2", 1/2"x 3/4"
Art. 105/1	Angle lockshield valve	size 3/8", 1/2", 1/2"x 3/4"
Art. 106/1	Manual straight valve	size 3/8", 1/2", 1/2"x 3/4"
Art. 107/1	Manual straight lockshield valve	size 3/8", 1/2", 1/2"x 3/4"

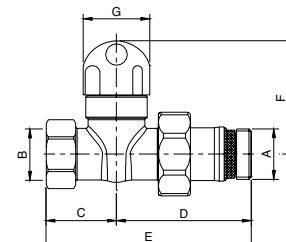
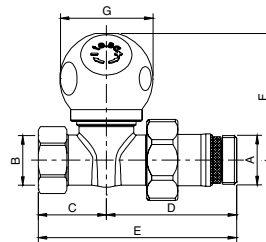
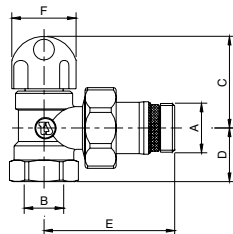
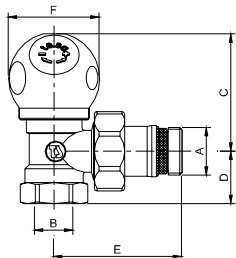


Rubber seal

The radiator connection unions feature a special profile rubber gasket that enables simple, rapid and secure installation.

Made from EPDM Peroxide, the gasket requires no additional sealing elements such as hemp fibre or PTFE tape etc.

Valves and lockshields valves for iron pipe



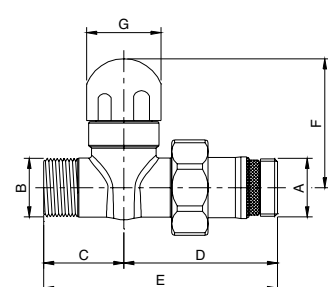
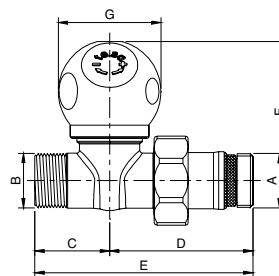
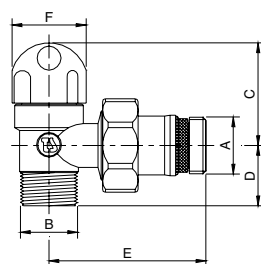
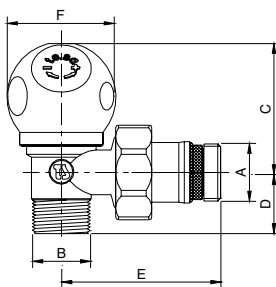
Art.	A	B	C	D	E	F
100/1-03	3/8"	3/8"	49	17	50	Ø39
100/1-04	1/2"	1/2"	49	22,5	54	Ø39
100/1-05	3/4"	3/4"	49	23,5	60	Ø39

Art.	A	B	C	D	E	F
101/1-03	3/8"	3/8"	39	20	50	Ø27
101/1-04	1/2"	1/2"	39	23	54	Ø27
101/1-05	3/4"	3/4"	39	26	60	Ø27

Art.	A	B	C	D	E	F	G
101/1-03	3/8"	3/8"	30	50	80	57	Ø39
101/1-04	1/2"	1/2"	28	54	82	57	Ø39
101/1-05	3/4"	3/4"	28	57	85	57	Ø39

Art.	A	B	C	D	E	F	G
103/1-03	3/8"	3/8"	30	50	80	45	Ø27
103/1-04	1/2"	1/2"	28	54	82	45	Ø27
103/1-05	3/4"	3/4"	28	57	85	45	Ø27

Valves and lockshields valves for copper, PEX and multilayer pipe

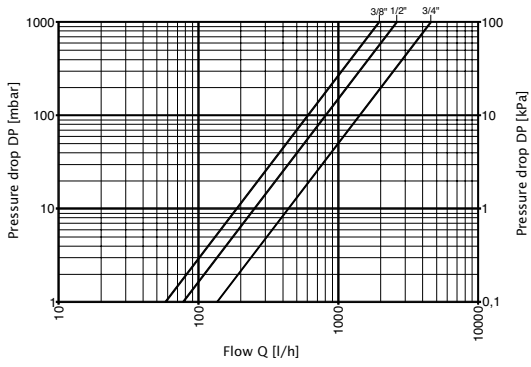


Art.	A	B	C	D	E	F
104/1-03	3/8"	1/2"	49	20,5	49	Ø39
104/1-04	1/2"	1/2"	49	23,5	56	Ø39
104/1-045	1/2"	3/4"	49	22	61	Ø39

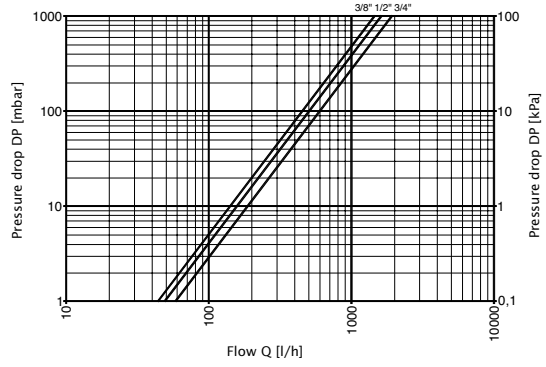
Art.	A	B	C	D	E	F
105/1-03	3/8"	1/2"	41	20	49	Ø27
105/1-04	1/2"	1/2"	41	23	56	Ø27
105/1-045	1/2"	3/4"	41	22	61	Ø27

Art.	A	B	C	D	E	F	G
106/1-03	3/8"	1/2"	30	50	80	57	Ø39
106/1-04	1/2"	1/2"	30	53	83	57	Ø39
106/1-045	1/2"	3/4"	28	58	86	57	Ø39

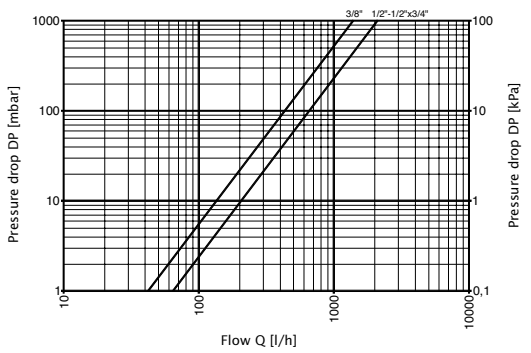
Art.	A	B	C	D	E	F	G
107/1-03	3/8"	1/2"	30	50	80	44	Ø27
107/1-04	1/2"	1/2"	30	53	83	44	Ø27
107/1-045	1/2"	3/4"	29	58	87	44	Ø27



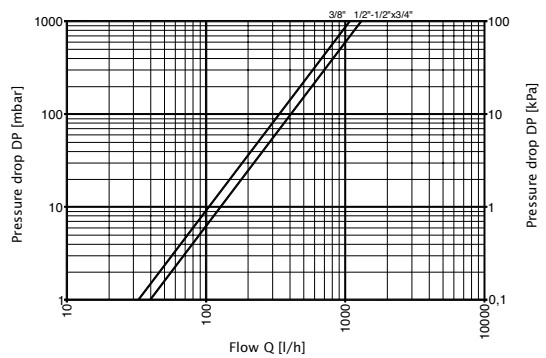
100/1-03-04-05



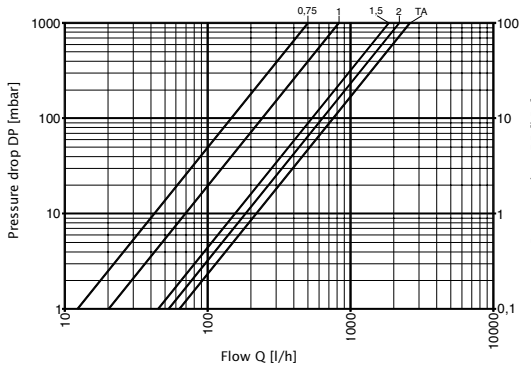
102/1-03-04-05



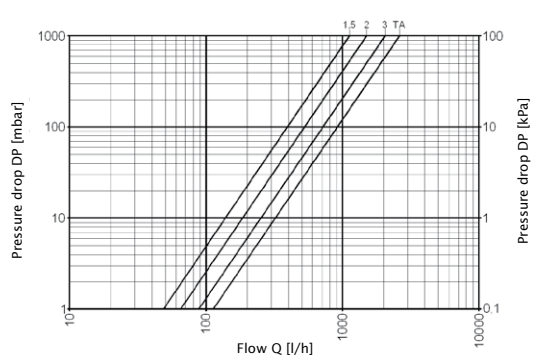
104/1-03-04-05



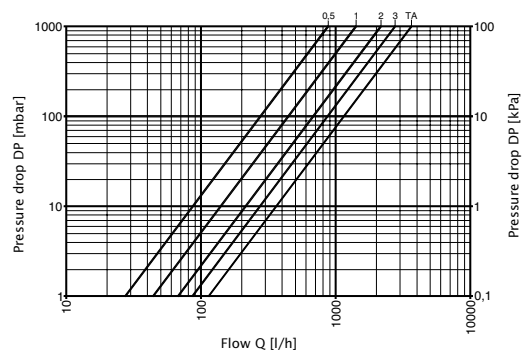
106/1-03-04-05



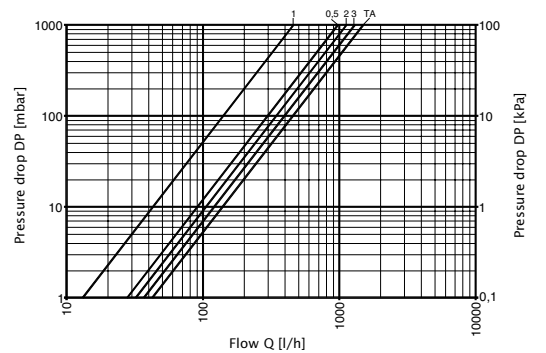
101/1-03



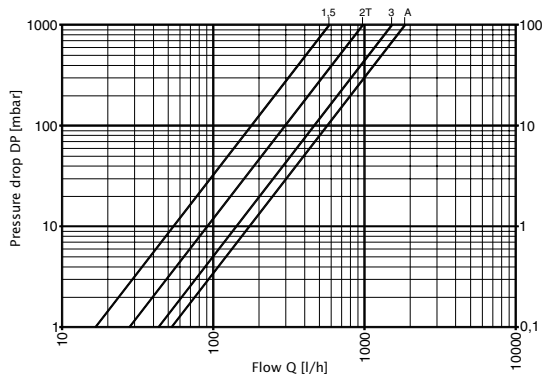
101/1-04



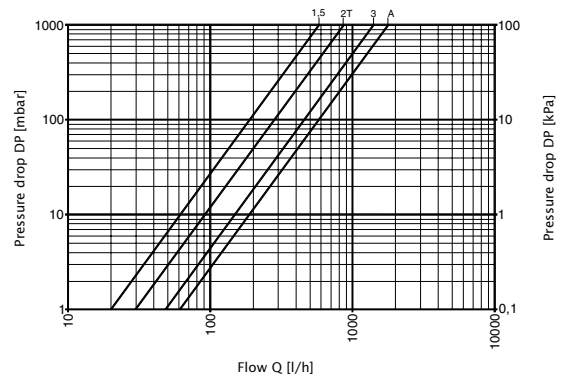
101/1-05



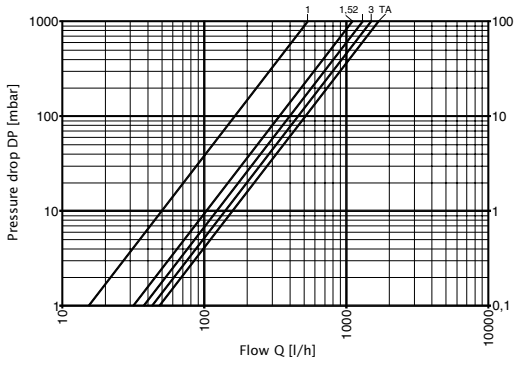
103/1-03



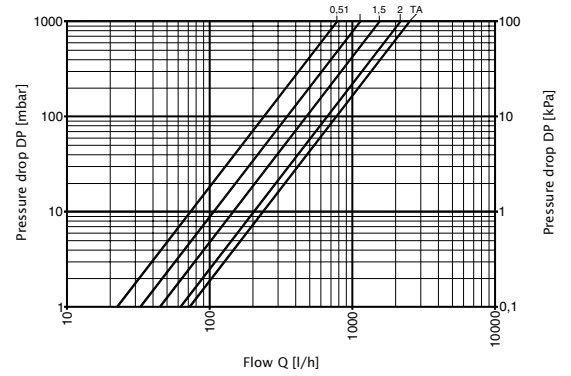
103/1-04



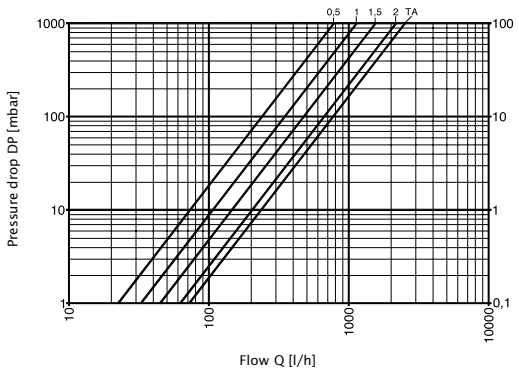
103/1-05



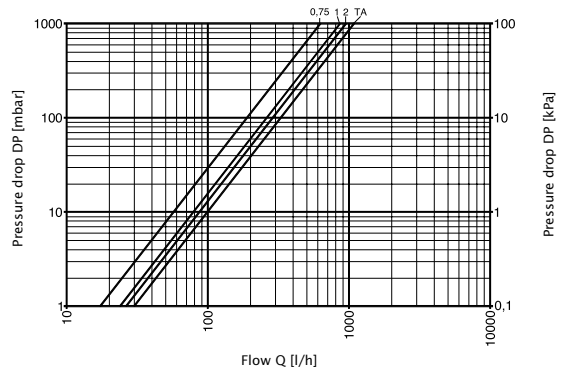
105/1-03



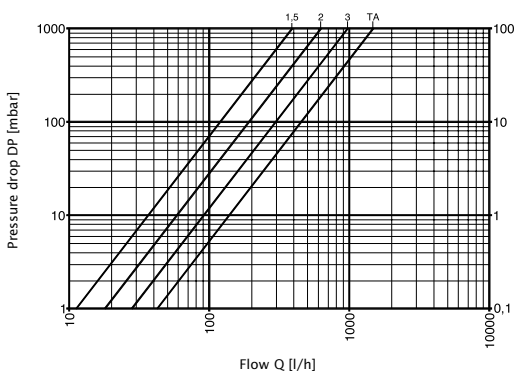
105/1-04



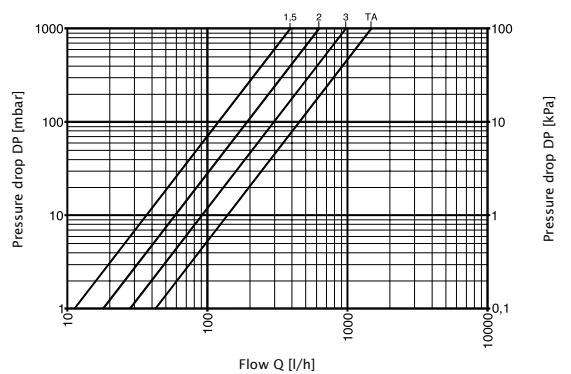
105/1-045



107/1-03



107/1-04



107/1-045

Accessories

Art. 206 - 216

(Tech. data sheet 217-EN)

Fitting for polyethylene pipe.

Art. 206 for connections 1/2", pipe $\varnothing 12 \div 16$ mm

Art. 216 for connections 3/4", pipe $\varnothing 12 \div 21$ mm
and for connections 1", pipe $\varnothing 25$ mm



Art. 217 - 218

(Tech. data sheet 217-EN)

Fitting for multilayer pipe.

Art. 218 for connections 1/2", pipe $\varnothing 12 \div 16$ mm

Art. 217 for connections 3/4", pipe $\varnothing 12 \div 21$ mm
and for connections 1", pipe $\varnothing 25$ mm



Art. 208

Fitting for copper pipe.

Art. 208-04 for connections 1/2", pipe $\varnothing 10 \div 16$ mm

Art. 208-05 for connections 3/4", pipe $\varnothing 12 \div 18$ mm



Art. 207

Fitting for copper pipe.

For connections 1/2", pipe $\varnothing 10 \div 16$ mm



Art. 608/S

Universal pipe cover disk.



Art. 608PR

Connection extension.

Size: 1/2" x $\varnothing 12, 14, 15, 16$ mm.



Art. 603

Union connection hex wrench, 24-30.

For connections series 206, 216, 217, 218, 207, 208.



Art. 603CM

Universal union connection hex key, 3/8" to 1".





Art. 100/1 Angle valve for iron pipe.

Manual angle valve for radiators.
Connections for iron pipe 3/8", 1/2", 3/4".
Radiator connections 3/8", 1/2", 3/4" M with union and rubber seal.
Chrome-plated brass valve body, ABS knob white RAL9010.
Adjustment stem with EPDM O-Ring seal.
Maximum operating temperature 100°C, maximum operating pressure 10 bar.



Art. 101/1 Angle lockshield valve for iron pipe.

Angle lockshield valve.
Connections for iron pipe 3/8", 1/2", 3/4".
Radiator connections 3/8", 1/2", 3/4" M with union and rubber seal.
Chrome-plated brass valve body, ABS protection cap white RAL9010.
Adjustment stem with EPDM O-Ring seal.
Maximum operating temperature 100°C, maximum operating pressure 10 bar.



Art. 102/1 Straight valve for iron pipe.

Manual straight valve for radiators.
Connections for iron pipe 3/8", 1/2", 3/4".
Radiator connections 3/8", 1/2", 3/4" M with union and rubber seal.
Chrome-plated brass valve body, ABS knob white RAL9010.
Adjustment stem with EPDM O-Ring seal.
Maximum operating temperature 100°C, maximum operating pressure 10 bar.



Art. 103/1 Straight lockshield valve for iron pipe.

Straight lockshield valve.
Connections for iron pipe 3/8", 1/2", 3/4".
Radiator connections 3/8", 1/2", 3/4" M with union and rubber seal.
Chrome-plated brass valve body, ABS protection cap white RAL9010.
Adjustment stem with EPDM O-Ring seal.
Maximum operating temperature 100°C, maximum operating pressure 10 bar.



Art. 104/1 Angle valve for copper, PEX and multilayer pipe.

Manual angle valve for radiators.
Connections for copper, PEX and multilayer pipe 1/2", 3/4" for pipe Ø10 to Ø21 mm.
Radiator connections 3/8", 1/2" M with union and rubber seal.
Chrome-plated brass valve body, ABS knob colour white RAL9010.
Adjustment stem with EPDM O-Ring seal.
Maximum operating temperature 100°C, maximum operating pressure 10 bar.



Art. 105/1 Angle lockshield valve for copper, PEX and multilayer pipe

Angle lockshield valve.
Connections for copper, PEX and multilayer pipe 1/2", 3/4".
Radiator connections 3/8", 1/2" M with union and rubber seal.
Chrome-plated brass valve body, ABS protection cap white RAL9010.
Adjustment stem with EPDM O-Ring seal.
Maximum operating temperature 100°C, maximum operating pressure 10 bar.



Art. 106/1 Straight valve for copper, PEX and multilayer pipe

Manual straight valve for radiators.
Connections for copper, PEX and multilayer pipe 1/2", 3/4" for pipe Ø10 to Ø21 mm.
Radiator connections 3/8", 1/2" M with union and rubber seal.
Chrome-plated brass valve body, ABS knob colour white RAL9010.
Adjustment stem with EPDM O-Ring seal.
Maximum operating temperature 100°C, maximum operating pressure 10 bar.



Art. 107/1 Straight lockshield valve for copper, PEX and multilayer pipe.

Straight lockshield valve.
Connections for copper, PEX and multilayer pipe 1/2", 3/4".
Radiator connections 3/8", 1/2" M with union and rubber seal.
Chrome-plated brass valve body, ABS protection cap white RAL9010.
Adjustment stem with EPDM O-Ring seal.
Maximum operating temperature 100°C, maximum operating pressure 10 bar.

